

SMART[®] BAND STANDARD

- HEAVY DUTY COMPOSITE BAND & BUCKLE SYSTEM

The Ultimate Strapping System – Safer | No Sharp Edges | Non-Conductive | Easier to Install

Smart[®] Band is a 19mm (3/4") Band & Buckle system that once installed is stronger, tighter and maintains its tension longer than competitive products. The simplicity of the buckle design allows for ease of use & application.

Smart[®] Band is non-metallic and non-conductive, it offers long-life and non-corrosive properties, making it the ideal alternative to many high grade stainless steel strapping solutions.

No matter what your application(s) – if you currently use stainless steel strap, you will be able to use Smart[®] Band as a replacement.



KEY FEATURES

- No sharp edges - operator and cable friendly.
- Tough, rugged and quick to fit
- Lightweight Nylon 6.6 (PA66) Material
- UV stable with high temperature resistance
- Corrosion resistant (no metal parts), non-magnetic and non-conductive
- Strength rated to 4400N (440kgf)
- Highly suited for applications where stainless steel strapping is currently used
- Glass Fibre Strands within band provide superior strength and retention
- Proprietary tool enables band to be tightened to a higher force than competitive products
- Meets requirements for installation in High-Risk PIM (Passive Intermodulation) Zones. It won't cause interference in wireless networks

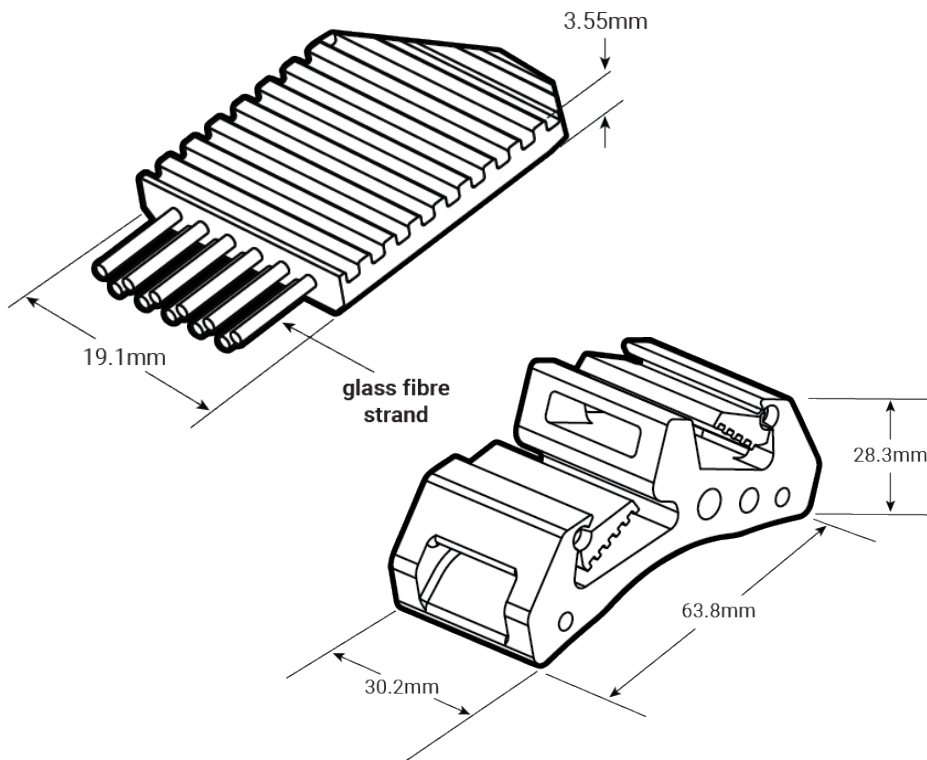


Scan the QR code to see just how easy it is to use the Smart[®] Band system.

TECHNICAL SPECIFICATIONS

Material	Max Strength N (kgf)	Min Retention N (kgf)	Min Diameter mm	Service Temp °C		Rec. Installation Temp °C	Flammability UL94	Chemical Resistance	Weathering & UV
				Min	Max				
PA66	4400 (440)	400 (40)	76	-40	125	5	HB	Good	+10years

DIMENSIONS



ORDERING INFORMATION

CAT No.	Description	Pack Size
SB-BA-3/4-30M-PA66	19MM SMART BAND STRAP REEL 30M	30m
SB-BU-3/4-ST-PA66	19MM SMART BAND BUCKLES 30PACK	30pce
SM-FT-2000-19	19MM SMART BAND TOOL MANUAL WITH BUILT IN CUTTER	1pce



Ed: 003, 07/24

TransNet NZ Ltd
78 Cryers Road
East Tamaki
Auckland, 2013

0800 442 182 | +64 9 274 3340
sales@transnet.co.nz | www.transnet.co.nz

