

3 WAY LINK PILLAR

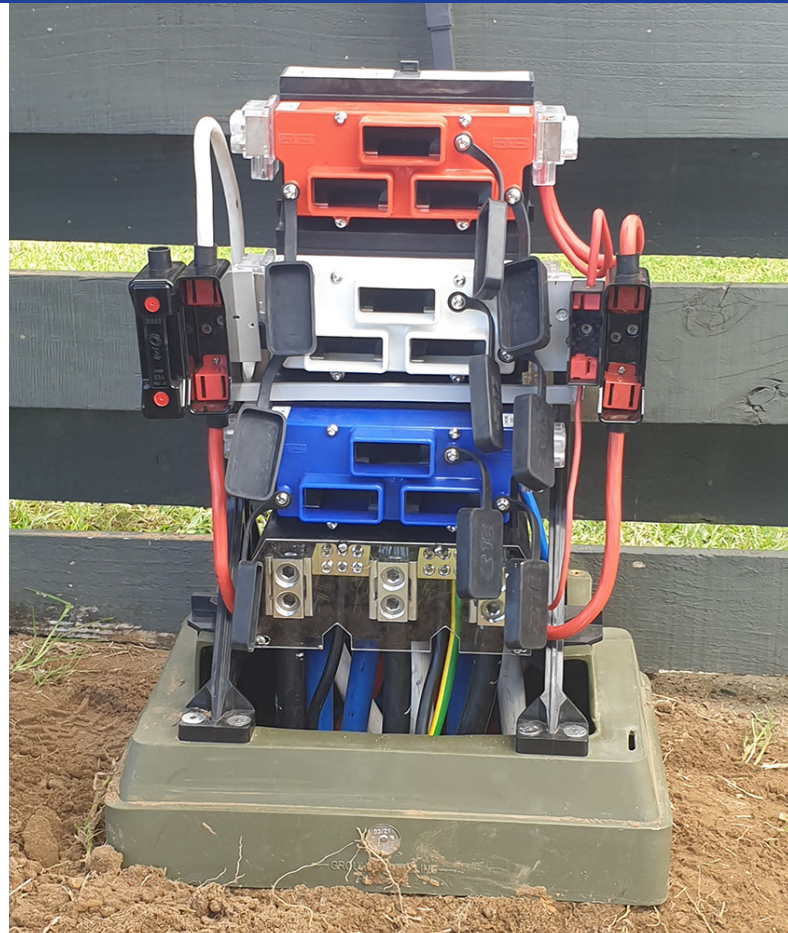
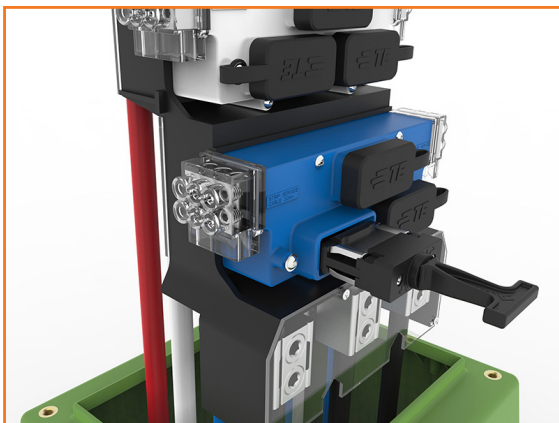
- 3 WAY LV SWITCHING

The Tappat 3 Way Link Pillar has been designed to maximise flexibility when it comes to network balancing. The true 3 way linking abilities of the switch mean it can be used in most locations where switching up to 3, four core 240mm² sector or round cables with services is required.

Switching under load is easy with the Tappat Camlok links which can be installed and removed under load and are rated at 400A.

Each cable connection has a 2 bolt connection for peace of mind and installation is made easier with less cable bending needed for terminating the cores.

The unit is safer and more user friendly with each main core independently separated and installed and insulated by a transparent cover. Cross phasing is not possible.



KEY FEATURES

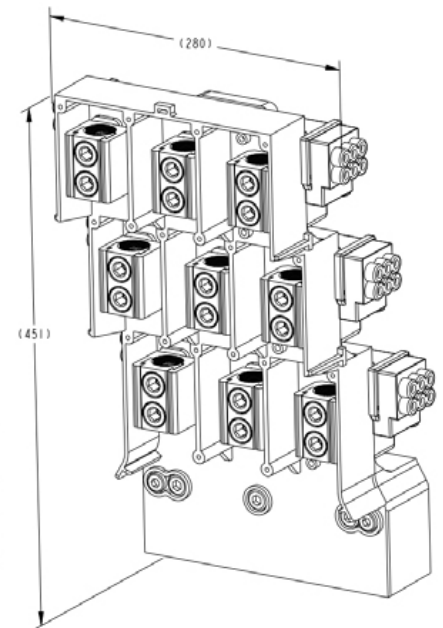
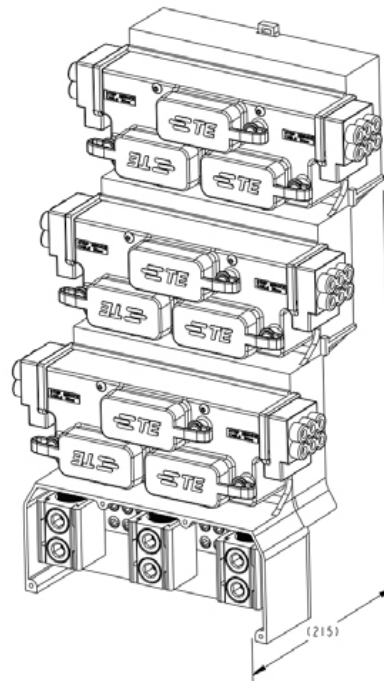
- 3 x Linked –Sector or Round Cable up to 240mm² (Potential for 300mm²)
- Safe and economical to install & operate
- Make / Break tested –100 x 100amps, then 10 x 400amps
- Tested up to 600A
- 2 Bolt connection on all mains and service cables
- Range taking up to 300mm² mains cable
- Fully insulated CAMLOK link

CAT No.	Description
EP6TALLTAPPAT3	3 Way Link Pillar

- Fully insulated system, there are no exposed live contacts
- Tinned Brass connections eliminate possibility of corrosion
- Ability to include service connections if required
- To aid quick and easy fault finding in LV networks
- Maximum flexibility control of your LV network
- Complete with Network and Switching labels
- Cam Lock links tested to 600 amps
- True 3 way switching



AUTHORISED DISTRIBUTOR



From This

→

To This

For more information on how to move to Tappat Link, talk to your local TransNet account manager or call +64 9 274 3340

TransNet NZ Ltd
78 Cryers Road
East Tamaki
Auckland, 2013

0800 442 182 | +64 9 274 3340
sales@transnet.co.nz | www.transnet.co.nz

